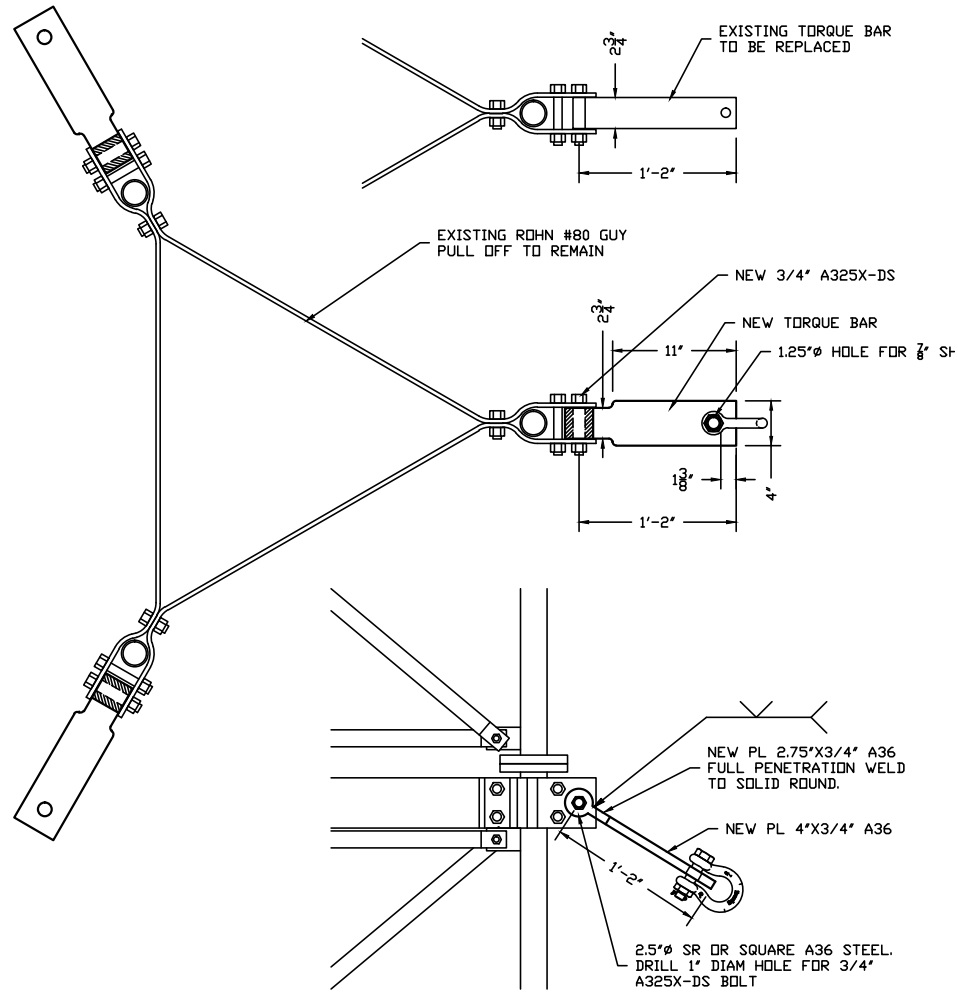
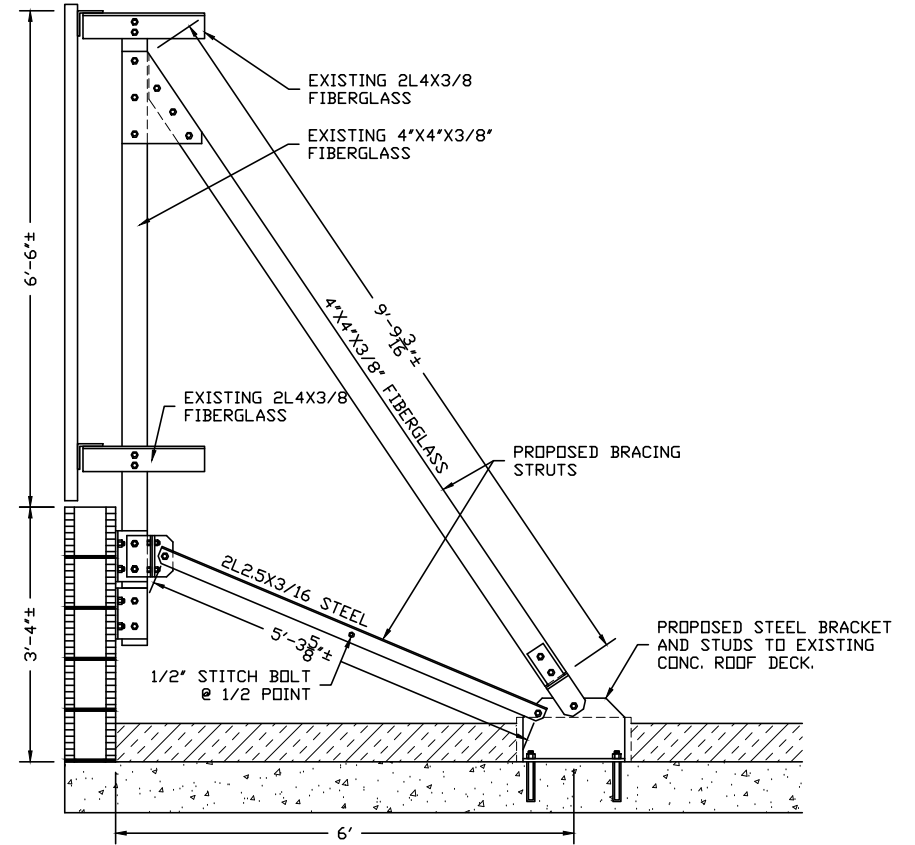


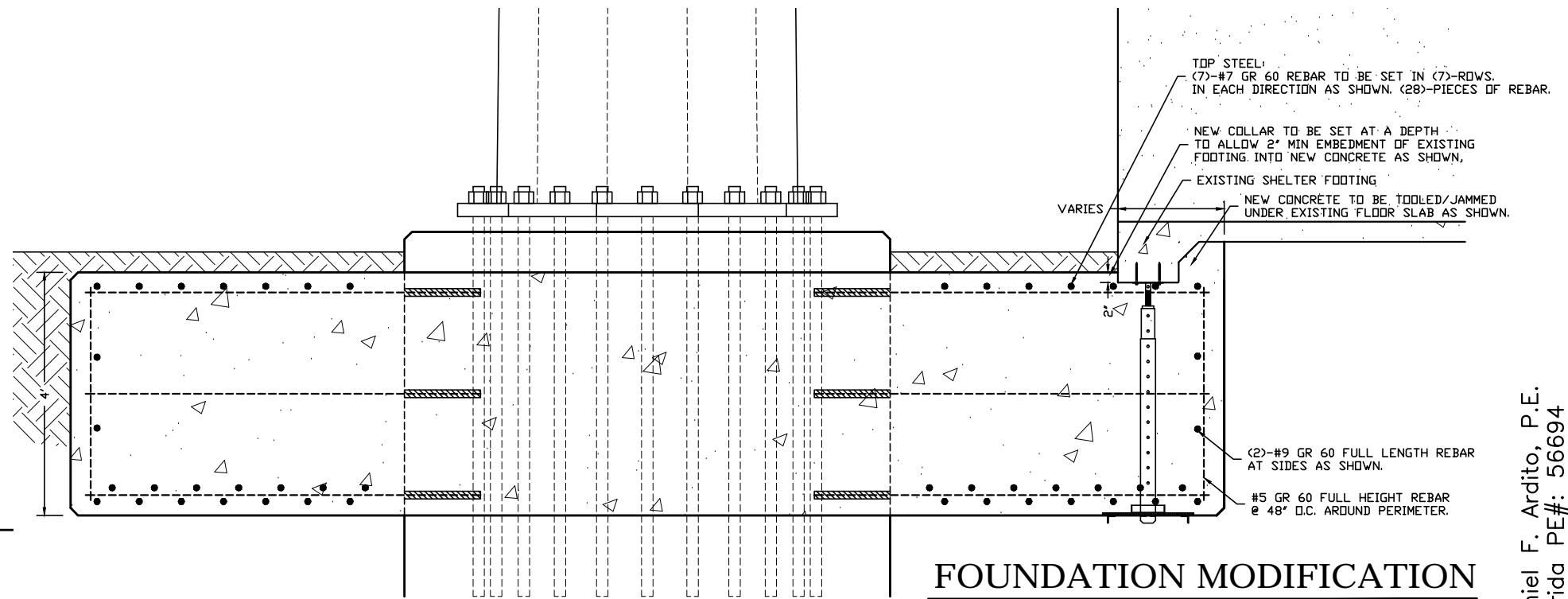
MONOPOLE MODIFICATION
SCALE: N.T.S.



GUY PULL OFF MODIFICATIONS
SCALE: N.T.S.



STEALTH WALL MODIFICATION
SCALE: N.T.S.



FOUNDATION MODIFICATION
SCALE: N.T.S.

Daniel F. Ardito, P.E.
Florida PE#: 56694

DATE:	10/29/16
REVISION:	0 SAMPLE ONLY
	1
	2

DRAWN BY:	DA
JOB NUMBER:	NINE

Daniel F. Ardito, P.E.
5644 S. PLANTAIN PT.
LECAINTO, FL 34461
(352)-621-4915

SHEET TITLE:
**VARIOUS CELLULAR
DETAILS**

JOB NAME:
**SAMPLE DRAWING
FLORIDA**

SHEET	1
OF	1