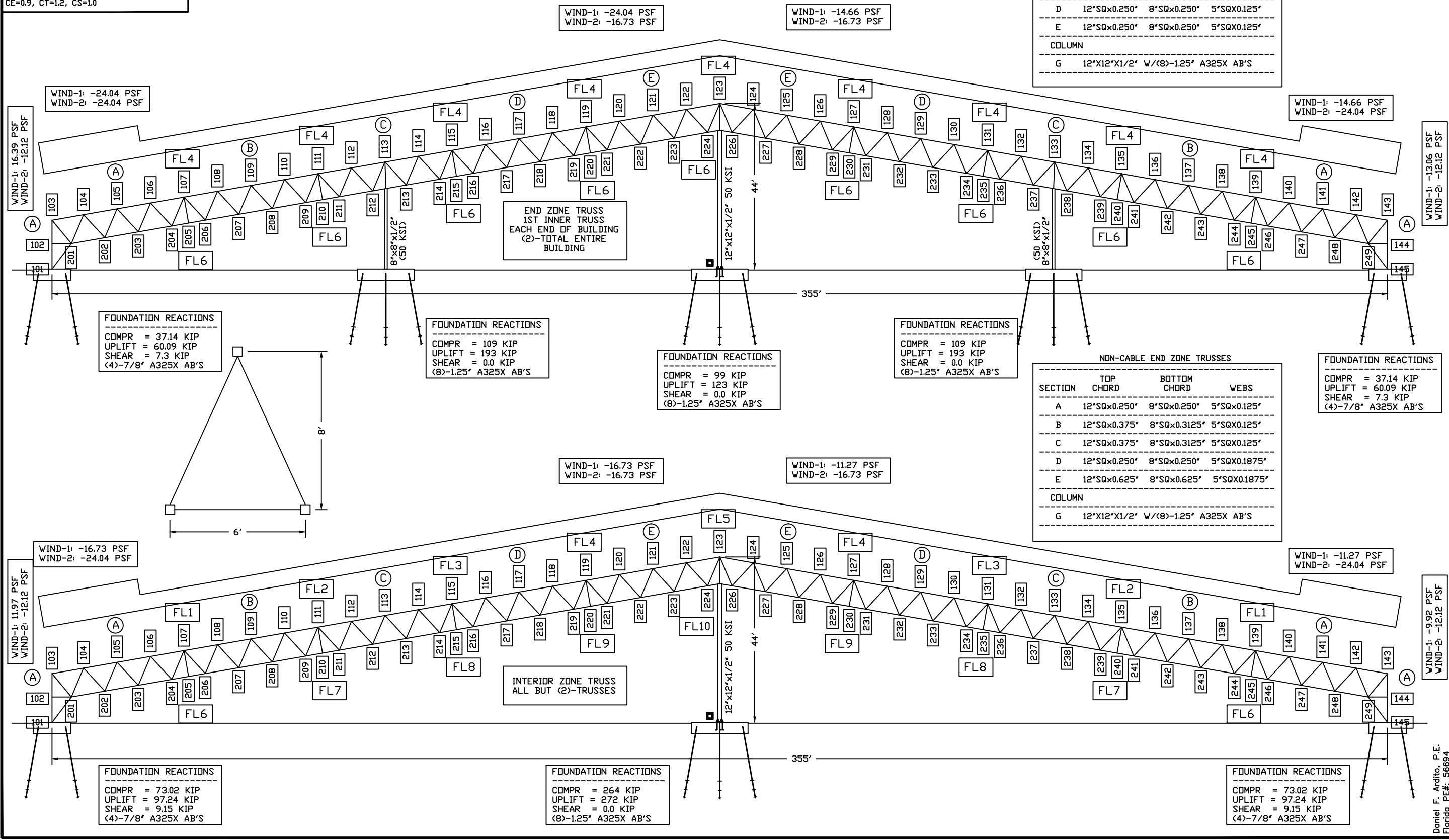


ASCF-7-10  
 ROOF LIVE LOAD: 12.0 PSF  
 WIND SPEED:  $V_{ult}=140$  MPH (3-SEC GUST)  
 $V_{asd}=108.5$  MPH (3-SEC GUST)  
 EXPOSURE: B  
 IMPORTANCE: 1.00  
 CATEGORY: I  
 INT PRESS COEFF: 0.18  
 (+) WIND ACTS TOWARD SURFACE  
 (-) WIND ACTS AWAY FROM SURFACE  
 GROUND SNOW LOAD: 0.0 PSF  
 CE=0.9, CT=1.2, CS=1.0

NON-CABLE END ZONE TRUSSES

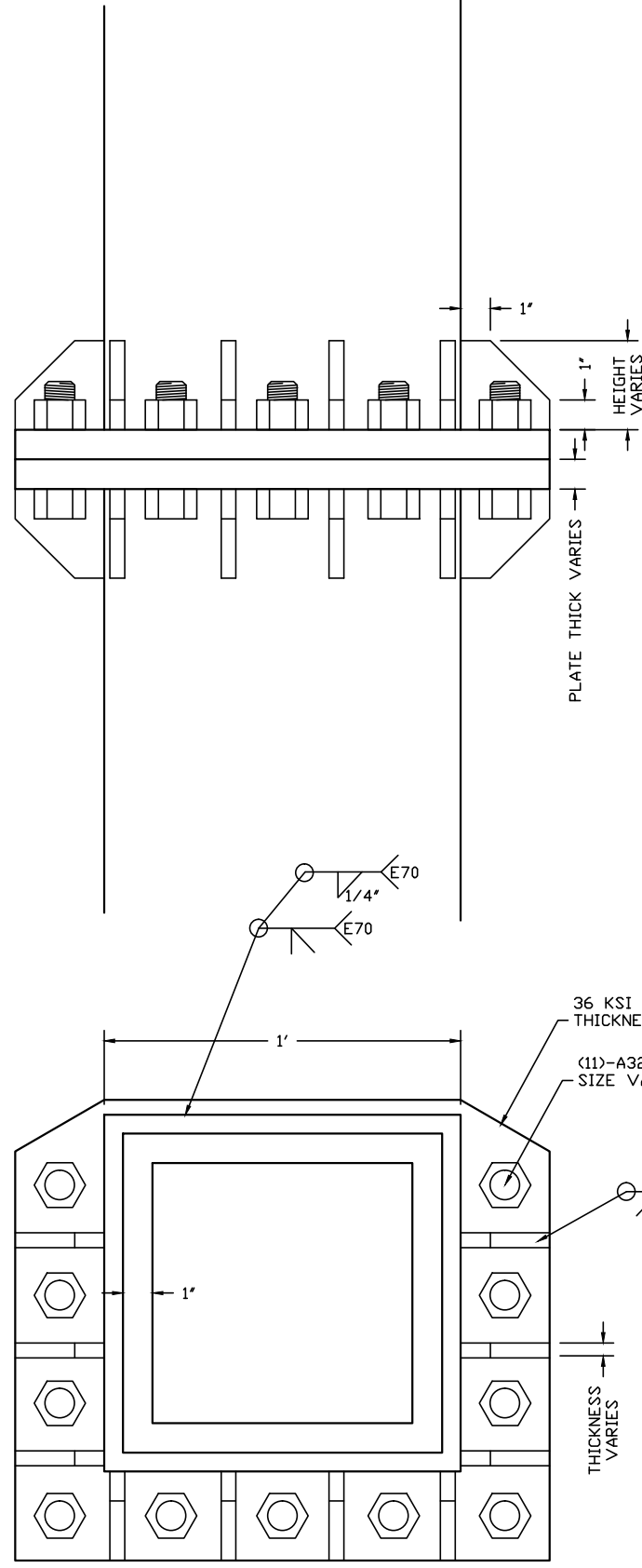
| SECTION | TOP CHORD                           | BOTTOM CHORD | WEBS        |
|---------|-------------------------------------|--------------|-------------|
| A       | 12"SQx0.250"                        | 8"SQx0.250"  | 5"SQx0.125" |
| B       | 12"SQx0.250"                        | 8"SQx0.250"  | 5"SQx0.125" |
| C       | 12"SQx0.250"                        | 8"SQx0.250"  | 5"SQx0.125" |
| D       | 12"SQx0.250"                        | 8"SQx0.250"  | 5"SQx0.125" |
| E       | 12"SQx0.250"                        | 8"SQx0.250"  | 5"SQx0.125" |
| COLUMN  |                                     |              |             |
| G       | 12"x12"x1/2" W/(8)-1.25' A325X AB'S |              |             |



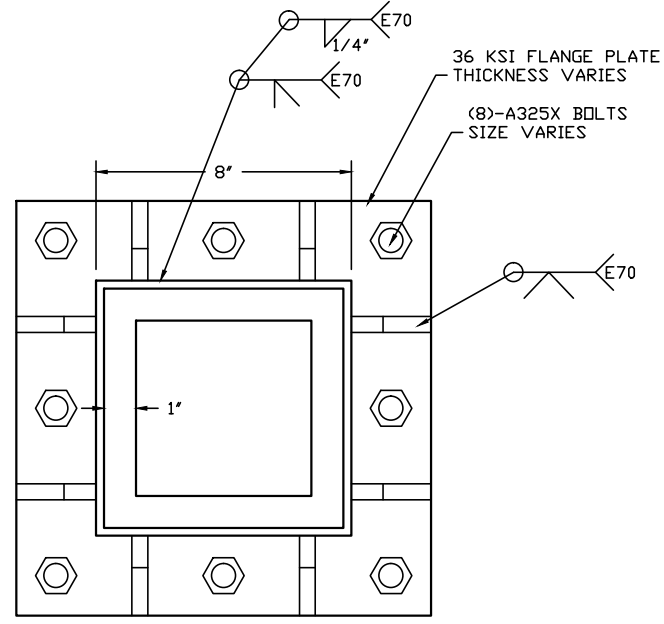
NON-CABLE END ZONE TRUSSES

| SECTION | TOP CHORD                           | BOTTOM CHORD | WEBS         |
|---------|-------------------------------------|--------------|--------------|
| A       | 12"SQx0.250"                        | 8"SQx0.250"  | 5"SQx0.125"  |
| B       | 12"SQx0.375"                        | 8"SQx0.3125" | 5"SQx0.125"  |
| C       | 12"SQx0.375"                        | 8"SQx0.3125" | 5"SQx0.125"  |
| D       | 12"SQx0.250"                        | 8"SQx0.250"  | 5"SQx0.1875" |
| E       | 12"SQx0.625"                        | 8"SQx0.625"  | 5"SQx0.1875" |
| COLUMN  |                                     |              |              |
| G       | 12"x12"x1/2" W/(8)-1.25' A325X AB'S |              |              |

DATE: \_\_\_\_\_  
 REVISION: \_\_\_\_\_  
 2/16/14  
 DRAWN BY: DA  
 JOB NUMBER: 14-102  
 Daniel F. Ardito, P.E.  
 Professional Engineer  
 5644 S. PLANTAIN PT.  
 LECANTON, FL 34461  
 (813) 621-4915  
 SHEET TITLE: STAAD ANALYSIS  
 JOB NAME: SAMPLE CALCS - FABRIC MEMBRANE  
 INDIANTOWN, FL  
 SHEET 1 OF 6  
 Daniel F. Ardito, P.E.  
 Florida P.E.#: 56694



| SPLICE ID | FLANGE THICK | A325 BOLTS  | STIFFENER THICK | STIFFENER HEIGHT |
|-----------|--------------|-------------|-----------------|------------------|
| FL1       | 1'           | <11>-1"     | 1/2"            | 3.5'             |
| FL2       | 1'           | <11>-1.125" | 1/2"            | 4.5'             |
| FL3       | 1'           | <11>-1"     | 1/2"            | 3'               |
| FL4       | 1'           | <11>-7/8"   | 3/8"            | 3.5'             |
| FL5       | 1.5'         | <11>-1.375" | 5/8"            | 6'               |
| FL6       | 1'           | <8>-3/4"    | NONE            |                  |
| FL7       | 1'           | <8>-3/4"    | NONE            |                  |
| FL8       | 1'           | <8>-3/4"    | NONE            |                  |
| FL9       | 1'           | <8>-3/4"    | NONE            |                  |
| FL10      | 1.5'         | <8>-1.125"  | 3/8"            | 3.5'             |

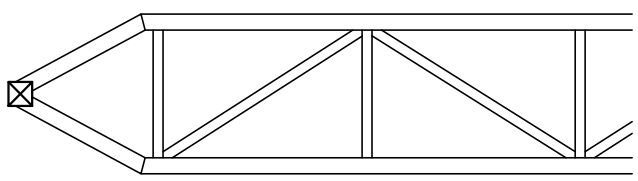
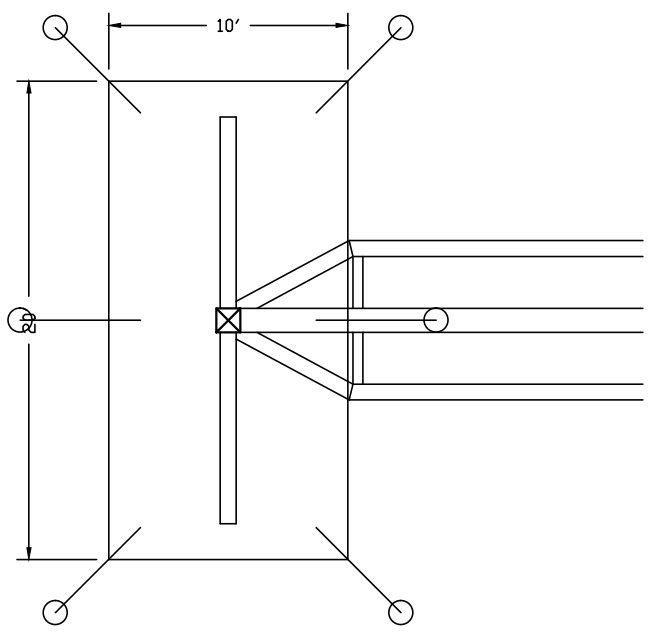
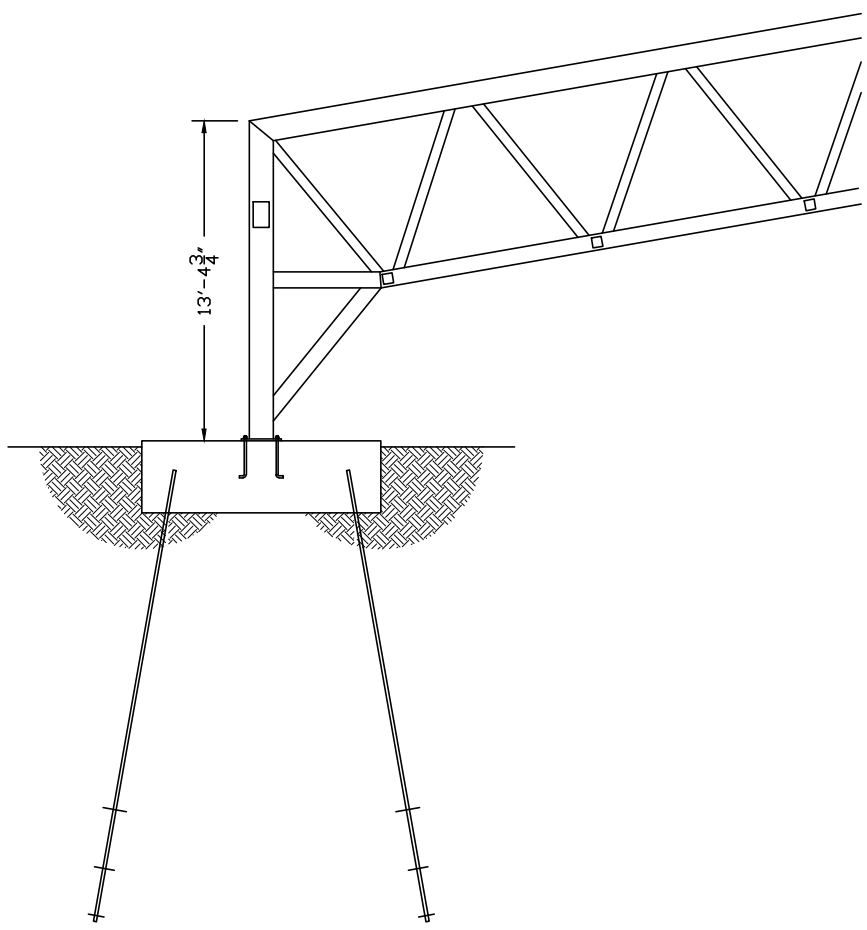
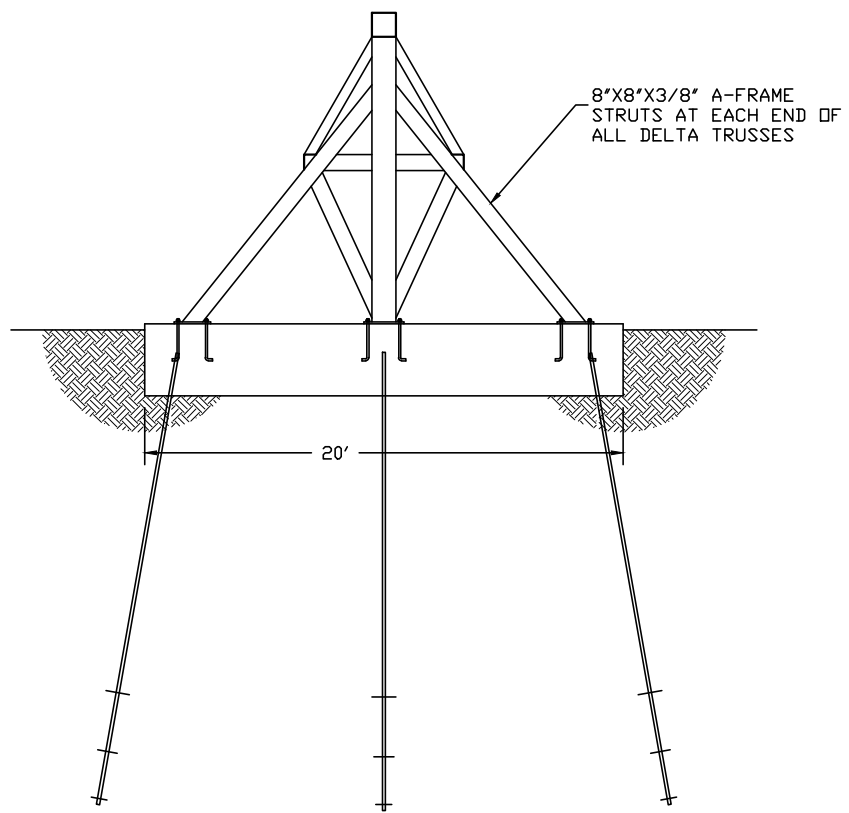


ASCE-7-05  
 ROOF LIVE LOAD: 12.0 PSF

BASIC WIND SPEED: 140 MPH (3-SEC GUST)  
 EXPOSURE: B  
 IMPORTANCE: 1.00  
 CATEGORY: I  
 INT PRESS COEFF: 0.18

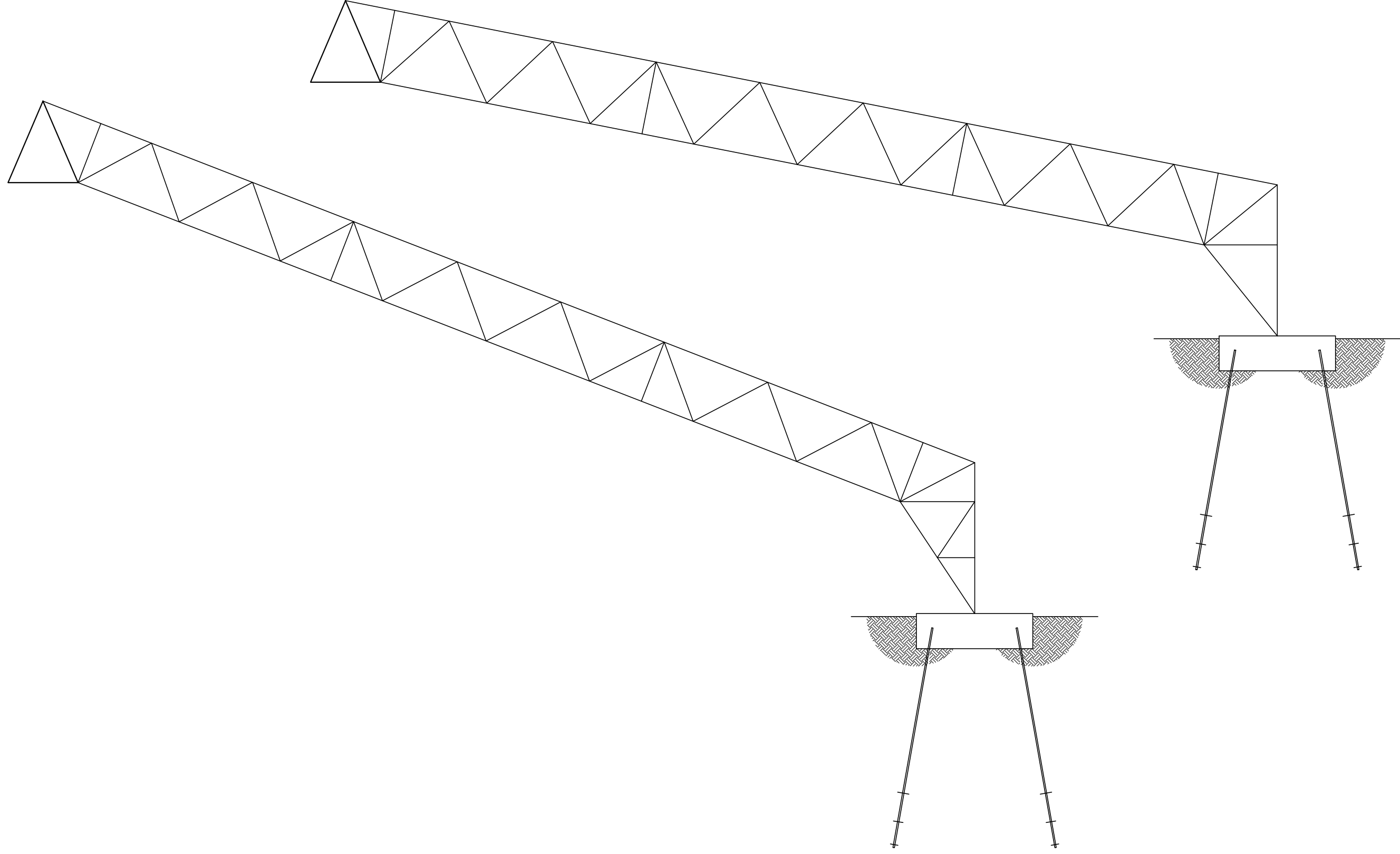
(+) WIND ACTS TOWARD SURFACE  
 (-) WIND ACTS AWAY FROM SURFACE

GROUND SNOW LOAD: 0.0 PSF  
 CE=0.9, CT=1.2, CS=1.0



Daniel F. Ardito, P.E.  
 Florida P.E.#: 56694

|                           |  |                                |   |                  |                       |
|---------------------------|--|--------------------------------|---|------------------|-----------------------|
| SHEET<br><b>3</b><br>OF 6 | JOB NAME:<br>SAMPLE CALCS - FABRIC MEMBRANE<br>INDIAN TOWN, FL | SHEET TITLE:<br>STAAD ANALYSIS | Daniel F. Ardito, P.E.<br>Professional Engineer<br>5644 S. PLANTAIN PT.<br>LECANTON, FL 34461<br>(888) 621-4915 | DATE:<br>2/16/14 | REVISION:             |
|                           | DRAWN BY:<br>DA  |                                |   | DATE:<br>2/16/14 | JOB NUMBER:<br>14-102 |



Daniel F. Ardito, P.E.  
 Florida P.E.#: 56694

SHEET  
 4  
 OF 6

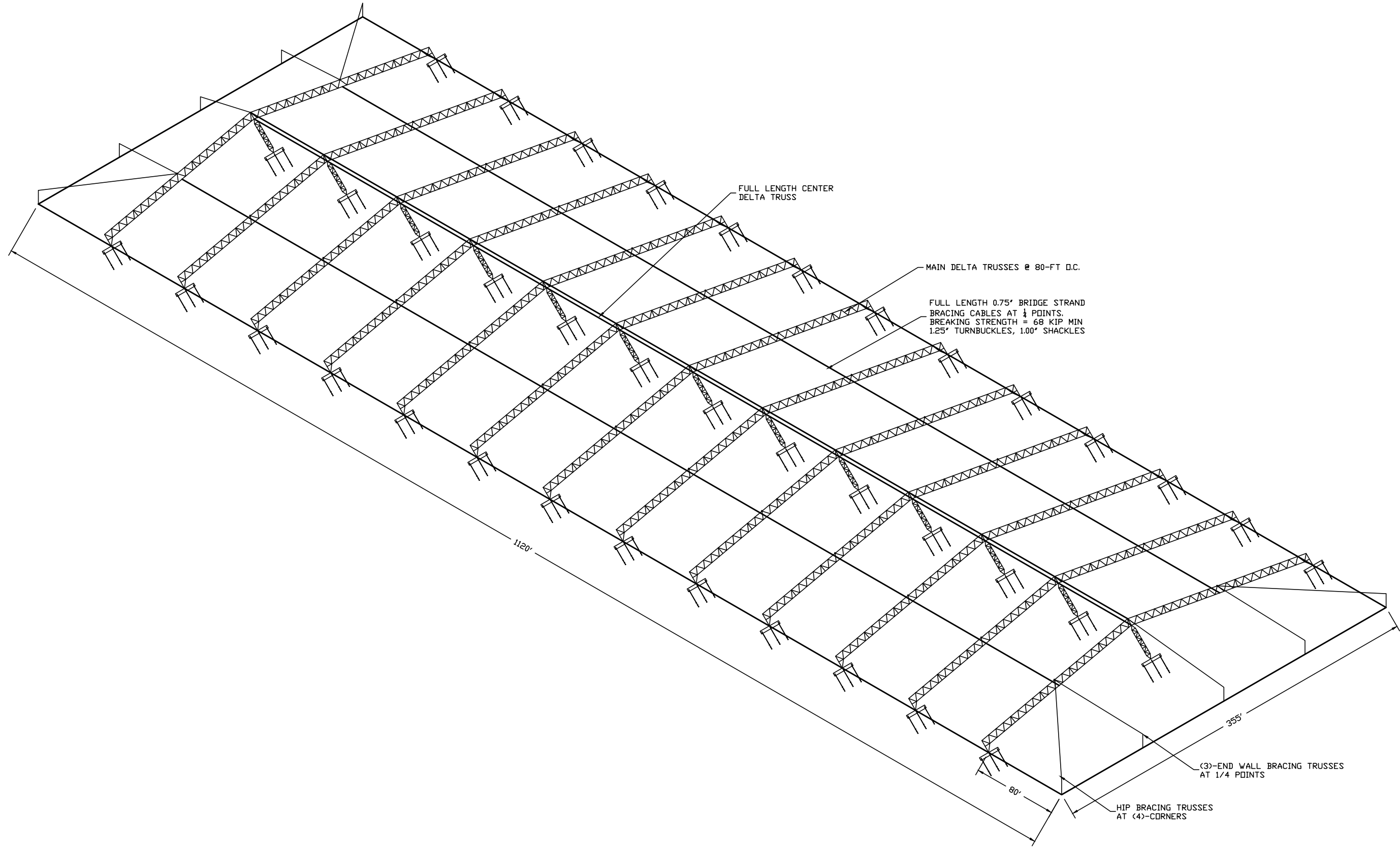
JOB NAME:  
 SAMPLE CALCS - FABRIC MEMBRANE  
 INDIANTOWN, FL

SHEET TITLE:  
 STAAD ANALYSIS

Daniel F. Ardito, P.E.  
 Professional Engineer  
 5644 S. PLANTAIN ST.  
 LECANTO, FL 34461  
 (888)-621-4915

DATE: 2/16/14  
 DRAWN BY: DA  
 JOB NUMBER: 14-102

REVISION:  
 1  
 2  
 3  
 4  
 5



FULL LENGTH CENTER  
DELTA TRUSS

MAIN DELTA TRUSSES @ 80-FT O.C.

FULL LENGTH 0.75" BRIDGE STRAND  
BRACING CABLES AT 1/4 POINTS.  
BREAKING STRENGTH = 68 KIP MIN  
1.25" TURNBUCKLES, 1.00" SHACKLES

1120'

355'

(3)-END WALL BRACING TRUSSES  
AT 1/4 POINTS

HIP BRACING TRUSSES  
AT (4)-CORNERS

80'

Daniel F. Ardito, P.E.  
Florida P.E.#: 56694

|           |       |
|-----------|-------|
| REVISION: | DATE: |
|           |       |

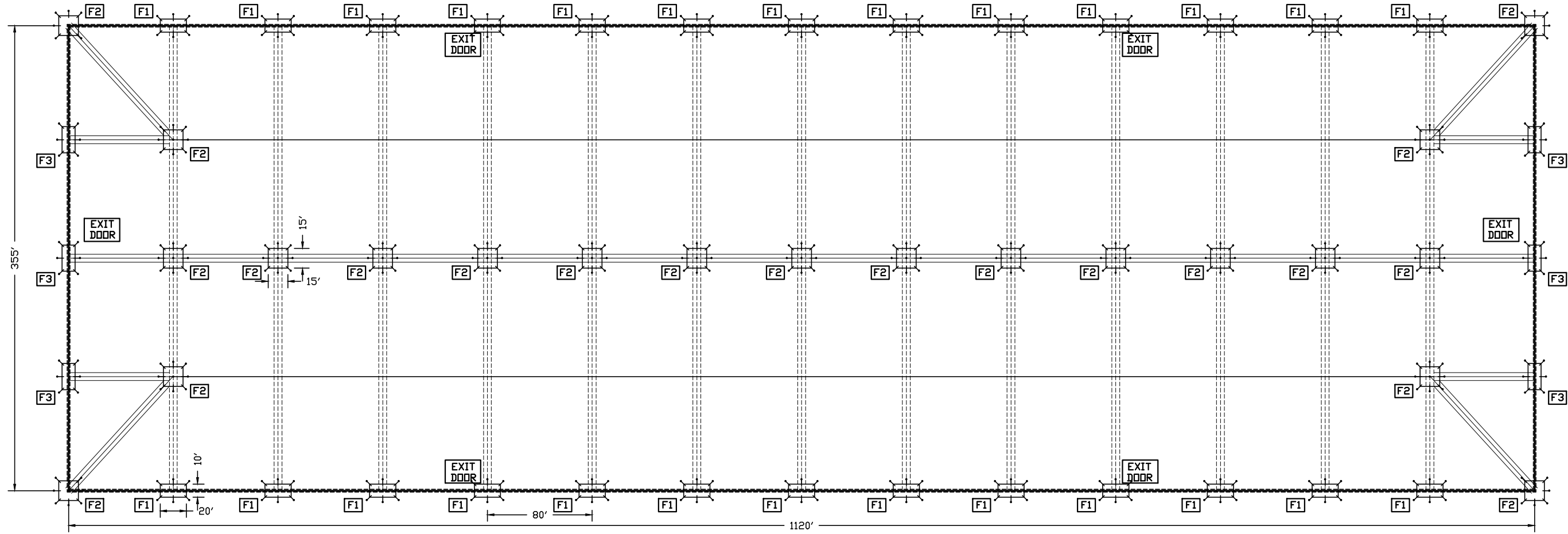
|             |         |
|-------------|---------|
| DATE:       | 2/16/14 |
| DRAWN BY:   | DA      |
| JOB NUMBER: | 14-102  |

Daniel F. Ardito, P.E.  
Professional Engineer  
5644 S. PLANTAIN PT.  
LELAND, FL 33461  
CRS-021-4915

SHEET TITLE: CABLE BRACING

JOB NAME: SAMPLE CALCS - FABRIC MEMBRANE  
INDIAN TOWN, FL

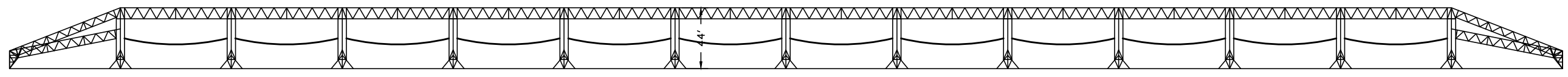
SHEET 5 OF 6



| FOUNDATION SIZES  |  |
|---|--|
| F1 = (26) - 20'X10'X3' = 15,600 FT <sup>3</sup> = 577.8 YD <sup>3</sup> | WITH (6)-8"/10"/12" - 1.5' SHAFT X 16' HELICAL SLANTED AT 10 DEG FROM VERTICAL |
| F2 = (21) - 15'X15'X3' = 14,175 FT <sup>3</sup> = 525 YD <sup>3</sup>   | WITH (9)-8"/10"/12" - 1.5' SHAFT X 22' HELICAL SLANTED AT 10 DEG FROM VERTICAL |
| F3 = (6) - 20'X10'X3' = 3,600 FT <sup>3</sup> = 133.3 YD <sup>3</sup>   | WITH (6)-8"/10"/12" - 1.5' SHAFT X 22' HELICAL SLANTED AT 20 DEG FROM VERTICAL |
| PERIMETER FOOTING   |  |
| 18' X 18' X 2990' = 6,728 FT <sup>3</sup>                               | = 250 YD <sup>3</sup>  |
| TOTAL VOLUME OF CONC. = 1,488 YD <sup>3</sup>                           |  |
| 8"/10"/12" 1.5' SHAFT X 16' HELICALS = 156 TOTAL                        |  |
| 8"/10"/12" 1.5' SHAFT X 22' HELICALS = 225 TOTAL                        |  |

**SOIL BORING NOTE:**  
 ALL FOUNDATIONS HAVE BEEN DESIGNED USING A SOIL BORING TO A DEPTH OF ONLY 14-FT. A SOIL BORING TO A DEPTH OF THE LOWEST HELICAL WILL BE REQUIRED PRIOR TO FINAL APPROVAL OF FOUNDATION SYSTEM. A SOIL BORING TO A DEPTH OF 40-FT IS HIGHLY RECOMMENDED. FINAL DESIGN MAY CHANGE.

**FOUNDATION LAYOUT**  
 SCALE: N.T.S.



Daniel F. Ardito, P.E.  
 Florida P.E.#: 56694

|   |                    |
|---|--------------------|
| DATE: 2/16/14   | REVISION: 1.0      |
| DRAWN BY: DA  | JOB NUMBER: 14-102 |
| Daniel F. Ardito, P.E.<br>Professional Engineer<br>5644 S. PLANTAIN ST.<br>LECANTON, FL 34461<br>(850)-621-4915 |                    |
| SHEET TITLE: FOUNDATION PLAN  |                    |
| JOB NAME: SAMPLE CALCS - FABRIC MEMBRANE<br>INDIANTOWN, FL  |                    |
| SHEET 6<br>OF 6   |                    |