

## DESIGN/INSTALLATION SPECIFICATIONS

WINDOW/DOOR ID	AS SHOWN
INTERIOR/EXTERIOR	EXTERIOR IMPACT
MANUFACTURER	WINCO WINDOW COMPANY
SERIES/MODEL	1150
GLAZING	1" INSULATED GLASS
FRAME	T1
DESIGN PRESSURE	AS SHOWN
REACTION CRD	31,000.0 LB/GAD
PRODUCT APPROVAL	FENESTRATION TESTING LABORATORY SECRET LABEL 3/28/2016

## ANCHORAGE NOTES:

ALL WINDOW FRAME ANCHORAGE TO BE SPACED AT 7.5" O.C. MAX AND BE WITHIN 3" OF ALL CORNERS, ANCHORAGE TO BE AT ALL HEADS, SILLS, AND JAMBES AS FOLLOWS:

- CONCRETE:  
1/4" TAPCON X 1.75" EMBEDMENT AND 2.5" MIN EDGE DISTANCE
- STEEL:  
#12 TEK TO STEEL THROUGH STEEL 1" MIN.

No.	Revision/Date	Date
1	For Review	07/20/16
2		
3		
4		
5		

Checked By:

Project:

WINDOW FRAME  
SOUTH ELEVATION

General Contractor:

ARCHITECT:

Designer:

CAD Drawing Name:

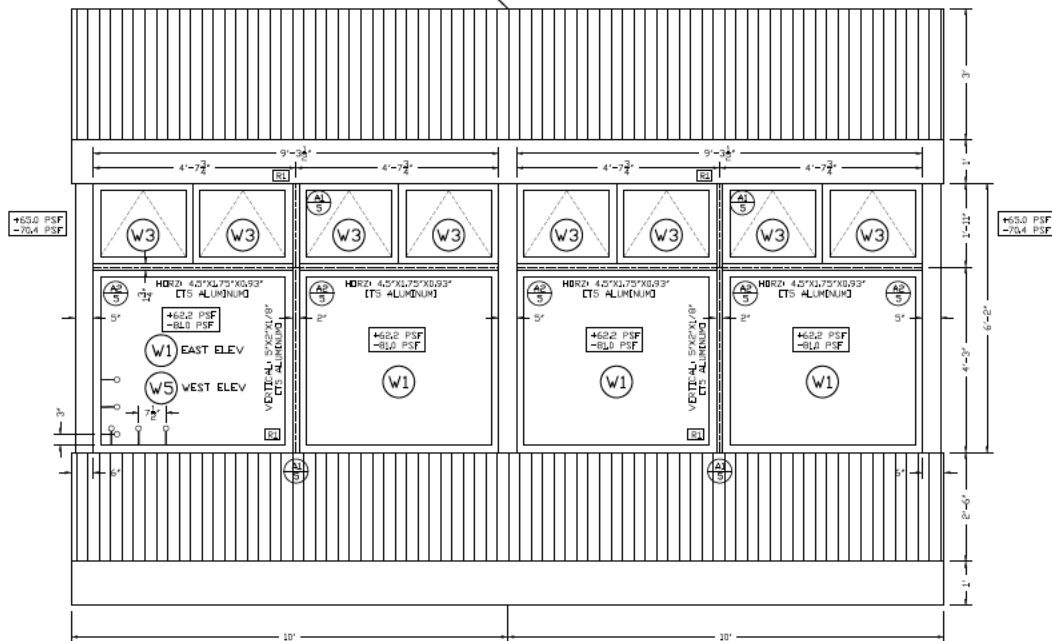
Year:

Date:

Scale:

Sheet  
2

DANIEL F. ARDITO, PE  
5644 S PLANTAIN PT  
LELAND, FL 34461  
(352)-621-4915  
Email: danardito@compabay.com  
Website: www.DanielArditoPE.net



DESIGN/INSTALLATION SPECIFICATIONS	
WINDOW/DOOR ID:	AS SHOWN
INTERIOR/EXTERIOR:	EXTERIOR (CONTACT)
MANUFACTURER:	WINDO COMPANY
SERIES/MODEL:	1150
GLAZING:	T1 INSULATED GLASS
FRAME:	T1
DESIGN PRESSURE:	AS SHOWN
REACTION (D1):	#11790 LB CASE3
PRODUCT APPROVAL:	FENESTRATION TESTING LABORATORY RECORD DATE: 3/28/2006

**ANCHORAGE NOTES:**

ALL WINDOW FRAME ANCHORAGE TO BE SPACED AT 7.5" O.C. MAX AND BE WITHIN 3" OF ALL CORNERS. ANCHORAGE TO BE AT ALL HEADS, SILLS, AND JAMBS AS FOLLOWS:

CONCRETE:  
1/4" TAPCON X 1.75" EMBEDMENT AND 2.5" MIN EDGE DISTANCE

STEEL:  
#16 TD1 TO STICK THROUGH STEEL 1" MIN.

No.	Revision/Issue	Date
1	For Review	07/20/16
2		
3		
4		
5		

Checked By:

Project:

**WINDOW FRAME EAST & WEST ELEVATION**

General Contractor:

ARCHITECT:

Description:

Call Drawing Name:

Year:

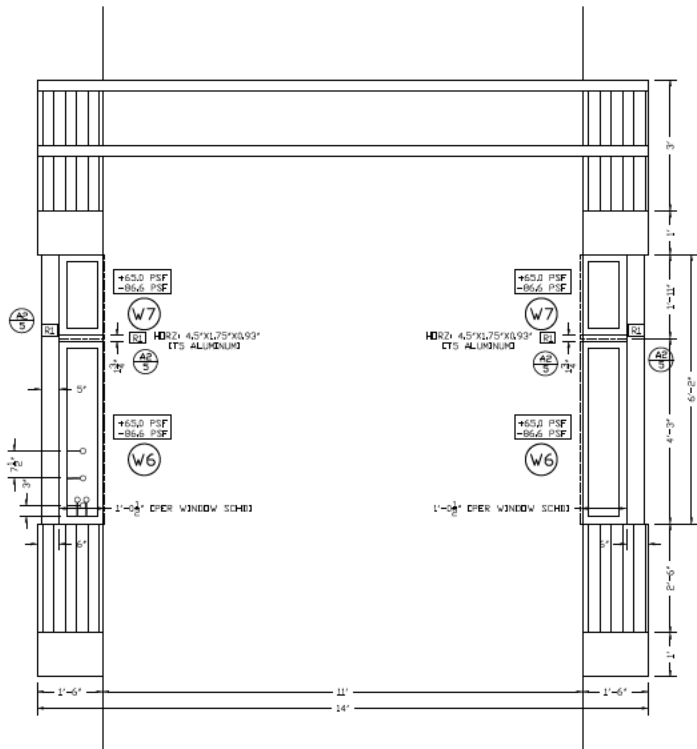
Date:

Scale:

Sheet:

3

DANIEL F. ARDITO, PE  
5644 S PLANTAIN PT  
LEWANTO, FL 34461  
(352)-621-4915  
Email: danardito@compsoy.com  
Website: www.DanielArditoPE.net



DESIGN/INSTALLATION SPECIFICATIONS	
WINDOW/DOOR ID	AS SHOWN
INTERIOR/EXTERIOR	EXTERIOR (IMPACT)
MANUFACTURER	WINCO WINDOW COMPANY
SERIES/MODEL	1150
GLAZING	?? INSULATED GLASS
FRAME	??
DESIGN PRESSURE	AS SHOWN
REACTION (R2)	EL60 LB (A30)
PRODUCT APPROVAL	PENETRATION TESTING LABORATORY REPORT: IATED 5/24/2006

**ANCHORAGE NOTES:**

ALL WINCO FRAME ANCHORAGE TO BE SPACED AT 7.5" O.C. MAX AND BE WITHIN 3" OF ALL CORNERS. ANCHORAGE TO BE AT ALL HEADS, SILLS, AND JAMBES AS FOLLOWS:

**CONCRETE:**  
1/4" TYPICON X 1.75" EMBEDMENT AND 2.5" MIN EDGE DISTANCE

**STEEL:**  
#2 TYP TO STEEL THROUGH STEEL 1" MIN.

No.	Revision/Issue	Date
1	For Review	07/20/16
2		
3		
4		
5		

Checked By:

Project:

**WINDOW FRAME  
NORTH ELEVATION**

General Contractor:

ARCHITECT:

Description:

CAD Drawing Name:

Year:

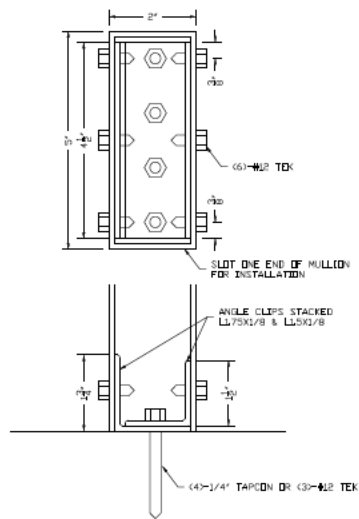
Date:

Scale:

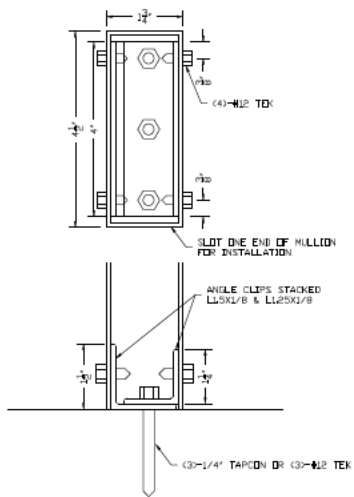
Sheet:

4

DANIEL F. ARDITO, PE  
5644 S PLANTAIN PT  
LEICANTO, FL 34461  
(352)-621-4915  
Email: danardito@compakboy.com  
Website: www.DanielArditoPE.net



**A1**  
**ANCHORAGE DETAILS**  
SCALE: N.T.S.



**A2**  
**ANCHORAGE DETAILS**  
SCALE: N.T.S.

No.	Revision/Date	Date
1	For Review	07/20/16
2		
3		
4		
5		

Checked By:

Project:

**ANCHORAGE**

General Contractor:

ARCHITECT:

Description:

Call Drawing Name:

Year:

Drawn:

Scale:

Sheet:

**5**

DANIEL F. ARDITO, PE  
5644 S PLANTAIN PT  
LEGANTO, FL 34461  
(352)-621-4915  
Email: danardito@compakboyrr.com  
Website: www.DanielArditoPE.net

DANIEL F. ARDITO, PE  
FL PE NO. 56694